

D3060

700-310

PRODUCT MANUAL

TABLE OF CONTENTS

INTRODUCTION

Reference Guide	3
Overview	4
Physical Characteristics	4

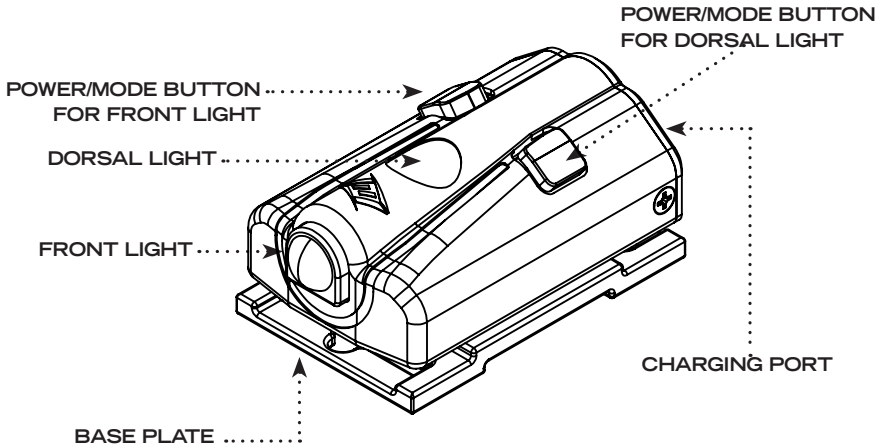
OPERATIONAL MODES

Modes	5
Lumens	5
Battery Life	5
Operational Mode Instructions	5

WARNINGS/WARRANTY	7
CARE/CLEANING	7
CONTACT FOXFURY	8

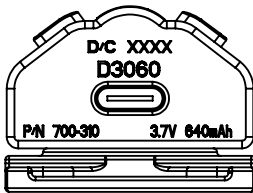
D3060 REFERENCE GUIDE

FULL ASSEMBLY

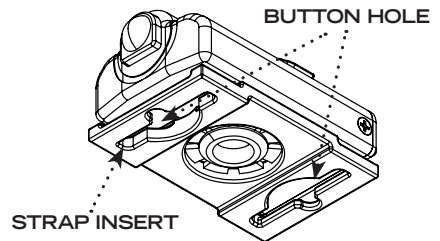


CHARGING PORT

USB-C



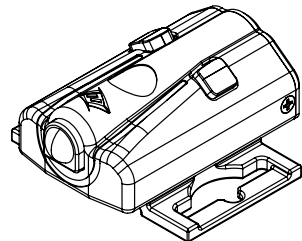
BASE PLATE



WHAT'S INCLUDED

- 3M Dual Lock Velcro (pair)
- 10" USB-C Charging Cable

ROTATES 360°



OVERVIEW

The D3060 is a multi-function utility light. It mounts to most drones via velcro attachments and attaches to straps and buttons via the base plate. Its 30° and 60° dual LEDs can operate with a high, low, or strobe mode to provide omni-directional lighting. This rechargeable and waterproof light is durable and compact for a variety of uses where light is needed in a tight space.

IMPORTANT!

Please fully charge the D3060 before using it for the first time.

PHYSICAL CHARACTERISTICS

Please read below before using your D3060 as it relays beneficial operating and safety information.

DIMENSIONS	1.3 x 2.3 x 0.9 in (33 x 58 x 23 mm)
WEIGHT	1.3 oz (37 g)

WARNINGS



When used for extended periods of time the D3060 will become HOT to the touch.



Do not stare into the LEDs for long periods of time or from a close range (less than 2 ft (0.6 m)).



While using any FoxFury product, please operate at safe speeds.



Be sure to rinse the D3060 with fresh water immediately after use in the ocean or a pool.



It is the responsibility of drone/UAV users to follow the FAA laws and regulations and/or the laws and regulations applicable to the flight location.

OPERATIONAL MODES

LIGHT	MODE	LUMENS	BATTERY LIFE
FRONT LIGHT ONLY	HIGH	200	1.5 hours
	LOW	60	2.5 hours
	STROBE	200	2 hours
DORSAL LIGHT ONLY	HIGH	160	1.7 hours
	LOW	60	3 hours
	STROBE	160	2 hours
BOTH FRONT AND DORSAL LIGHTS	HIGH	NA*	NA*
	LOW	60	2 hours
	STROBE	200 FRONT 160 DORSAL	1.5 hours

*Thermal protection circuit will automatically reduce the Dorsal Light to low mode when the Front Light is on high mode. The battery life for this setup is 1 hour.

OPERATIONAL MODES

- Press the Dorsal Light Power/Mode Button once to turn the Dorsal Light on to HIGH.
- Press the Dorsal Light Power/Mode Button again to turn the Dorsal Light to LOW.
- Press the Dorsal Light Power/Mode Button again to turn the Dorsal Light to STROBE.
- Press the Dorsal Light Power/Mode Button again to turn the Dorsal Light OFF.
- Do the same with the Front Light Power/Mode Button to control the Front Light.

WARRANTY AND OTHER INFORMATION

PRODUCT DURABILITY



PRODUCT NAME: D3060
PART NUMBER: 700-310

CARE/CLEANING

Your FoxFury product is a professional tool. Regular maintenance and care of your light will maximize performance for you. As needed, wash your FoxFury product using a soft washcloth, clean water and a mild soap. Be sure that both the Light Head and Power Pack are reassembled securely before washing. When done, pat dry with a damp cloth.

WARNINGS

FoxFury, LLC is not responsible for the incorrect use of any FoxFury Lighting product.

- ⚠ When used for extended periods of time the D3060 will become HOT to the touch. Please use care when operating.
- ⚠ Lights are strong enough to cause damage to the human eye.
- ⚠ Do not stare into LEDs for long periods of time or from a close range (less than 2 ft (0.6 m)).
- ⚠ FoxFury, LLC is not responsible for any injury or damage caused during the use of this product.
- ⚠ Usage of this product must be supervised by an adult when it is being used by a minor.

⚠ Any FoxFury product should be operated at speeds safe enough to maneuver around surrounding obstacles.

⚠ Do not use under the influence of drugs or alcohol.

ONE YEAR WARRANTY

FoxFury, LLC ("FoxFury") warrants this product to be free from defects in material for one year after purchase. LiPo batteries have a one year pro-rated or 300 re-charge cycle pro-rated warranty, whichever the user reaches first.

This warranty is given only to the original end user of the accompanying product. If you purchased a product from someone other than an authorized FoxFury reseller/distributor or if the product was used, (including but not limited to demo models, show models or refurbished product by someone other than FoxFury) prior to your purchase, you are not the Original Purchaser and the product that you purchased is not covered by this warranty. This warranty is VOID if this Product has been altered or modified in any way (including but not limited to attempted warranty repair without authorization from Foxfury and/or alteration/removal of the serial number). To expedite warranty concerns, we encourage the end user to register their FoxFury Product at www.foxfury.com/pages/warranty-registration.

THIS IS THE ONLY WARRANTY,
EXPRESSED OR IMPLIED,
INCLUDING ANY WARRANTY OF
MERCHANTABILITY OR FITNESS
FOR A PARTICULAR PURPOSE.
INCIDENTAL, CONSEQUENTIAL
OR SPECIAL DAMAGES ARE
EXPRESSLY DISCLAIMED EXCEPT
WHERE SUCH LIMITATION IS
PROHIBITED BY LAW.

You may have other specific legal
rights which vary by jurisdiction. Go
to www.foxfury.com/pages/warranty
for a complete copy of the warranty.
Retain your receipt for proof of
purchase.

CONTACT FOXFURY

FoxFury, LLC

Oceanside, CA 92056 USA

Toll-Free: 844-FOXFURY

Tel: 760.945.4231

Fax: 760.433.3650

Email: service@FoxFury.com

Web: FoxFury.com

All FoxFury products are designed in
Oceanside, CA. All FoxFury products
are manufactured with the highest
quality USA and foreign parts.
Products are assembled in either
FoxFury's controlled plant in Asia or
the USA, under strict quality control.

CALIFORNIA PROPOSITION 65

This product can expose you to
chemicals including Lead and DEHP,
which are known to the State of
California to cause cancer and birth
defects or other reproductive harm.
For more information go to [www.
P65Warnings.ca.gov](http://www.P65Warnings.ca.gov).

