

RUGO™

700-300, 700-300S, 700-301, 700-301S

PRODUCT MANUAL

TABLE OF CONTENTS

INTRODUCTION

Reference Guide	3
Overview	4
Physical Characteristics	4

POWER PACK

Charging the Power Pack	5
Reassembling the Rugo™ after Charging	6
Power Pack Life	6
Operational Modes	6

TRI-LENS™

Using the Tri-Lens™	7
Removing the Tri-Lens™	7

REMOVING/CHANGING MOUNTS

Removing the Standard Mount	8
Removing the ¼"-20 & Cold-Shoe Mount	8

MOUNTING TO DEVICES

GoPro®	9
DSLR	9
Tripod/Puck Adaptor	9

MAINTENANCE

Replacing the Seal	10
Removing the Guard	10

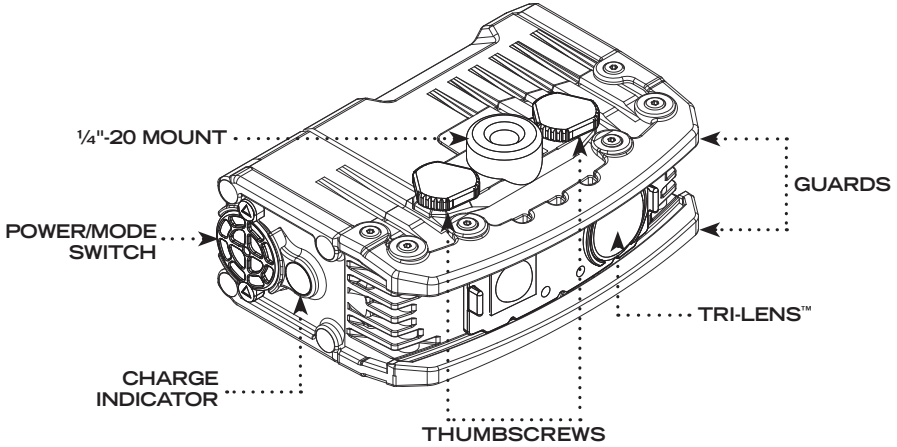
WARNINGS/WARRANTY	4, 12-13
--------------------------	----------

CARE/CLEANING	12
----------------------	----

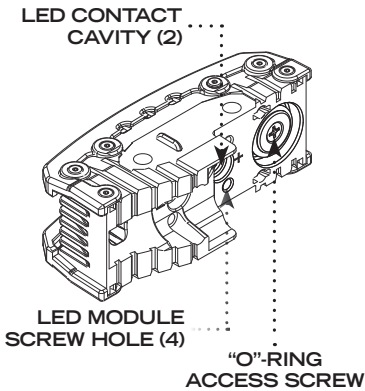
CONTACT FOXFURY	13
------------------------	----

RUGO™ REFERENCE GUIDE

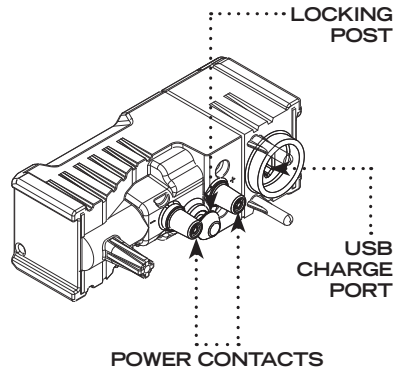
FULL ASSEMBLY



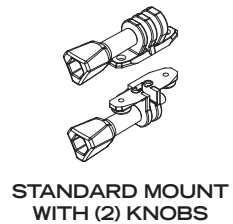
DISASSEMBLED LIGHT HEAD



DISASSEMBLED POWER PACK



MOUNTS INCLUDED



OVERVIEW

The Rugo™ is a compact and powerful LED Light which has the ability to be mounted to the GoPro®, a DSLR, a drone, a tripod and many other devices. Having four different intensities with three interchangeable lens settings (Tri-Lens™), makes it a powerful tool for utility, rescue, inspection, and photo-video. A Charge Indicator and Quick Swap™ Power Pack makes the Rugo™, patents pending, is one of a kind.

IMPORTANT!

Please fully charge the Power Pack before using the Rugo™ for the first time.

PHYSICAL CHARACTERISTICS

Please read below before using your Rugo™ as it relays beneficial operating and safety information.

DIMENSIONS	2.9 x 1.0 x 2.0 in (74 x 25 x 51 mm)
WEIGHT	5.6 oz (158 g) with Power Pack and Light Head 2.6 oz (73 g) Power Pack

WARNINGS



When used for extended periods of time the Rugo™ will become HOT to the touch.



Do not stare into the LEDs for long periods of time or from a close range (less than 2 ft (0.6 m)).



This product is designed as an auxiliary lighting tool to be used with photo, video, and film.



DO NOT use the Rugo™ as a primary light source for activities.



While using any FoxFury product, please operate at safe speeds.

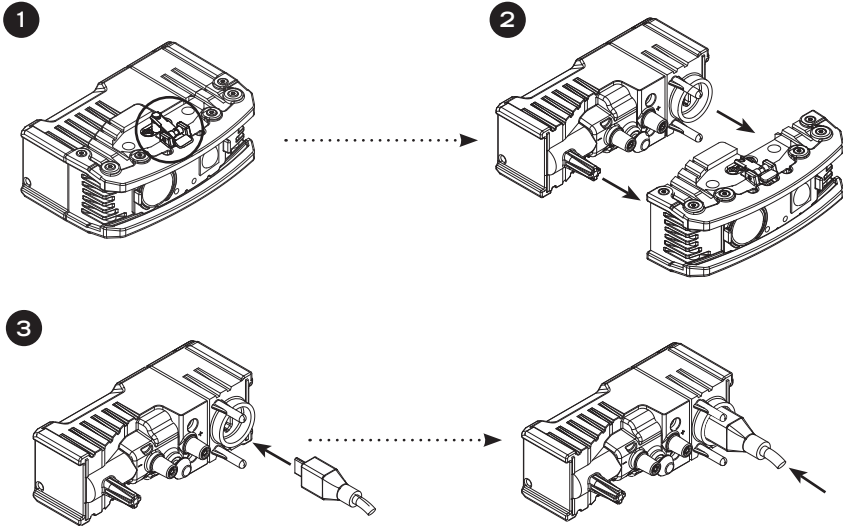


Be sure to rinse the Rugo™ with fresh water immediately after use in the ocean or a pool.



It is the responsibility of drone/UAV users to follow the FAA laws and regulations and/or the laws and regulations applicable to the flight location.

CHARGING THE POWER PACK



- 1 Press and hold the Power Pack Release Lever located on the Light Head portion of the Rugo™.
- 2 While maintaining pressure on the Power Pack Release Lever, pull the Light Head and the Power Pack apart.
 - ❖ If unable to pull apart easily (due to resistance of the internal rubber gasket), try moving the Power Pack back and forth while pulling apart.
 - ❖ NOTE: Once apart, be sure to keep both ends dry and away from water, moisture and dust. While the Power Pack and Light Head are separated, the unit DOES NOT maintain its waterproof rating.
- 3 Insert the provided Micro USB Cable into the Power Pack—respect the orientation/alignment. Then, insert the opposite end, USB (Type A) into a USB compatible power source or into the included AC/DC Adaptor. (Input: 100V–240VAC 50/60 Hz, Output: 5V DC 1000mA).
 - ❖ The Charge Indicator will be solid red while charging. Once fully charged, it will turn green.
 - ❖ Charging time will be approximately 2.5 hours.
 - ❖ After the Power Pack is charged, disconnect it from USB Cable.

**PLEASE NOTE: The Rugo™ in steps 1–3 is shown with no mounts and is flipped to show the Power Pack Release Lever.

REASSEMBLING THE RUGO™ AFTER CHARGING

- 1 Install the Power Pack to the Light Head—confirm position of alignment posts to their respected cavities.
- 2 Push both halves together. A ‘click’ should be heard as they become locked together.
 - ❖ Test the light to make sure that the Power Pack is properly connected to the Light Head by pressing the Power/Mode Switch.

R1 (700-300)

MODE	DURATION	LUMENS
DIM	6.75 hours	70
LOW	3.5 hours	200
MEDIUM	1.5 hours	400
HIGH	1 hour	700

RC (700-301)

MODE	DURATION	LUMENS
DIM	6.75 hours	70
LOW	3.5 hours	200
MEDIUM	1.5 hours	380
HIGH	1 hour	620

*Power Pack life may vary according to age and ambient conditions.

R1S (700-300S)

MODE	DURATION	LUMENS
LOW	6.75 hours	70
MEDIUM	1.5 hours	400
HIGH	1 hour	700
STROBE	2.5 hours	700

RCS (700-301S)

MODE	DURATION	LUMENS
LOW	6.75 hours	70
MEDIUM	1.5 hours	380
HIGH	1 hour	620
STROBE	2.5 hours	620

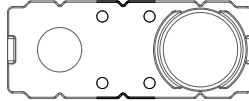
OPERATIONAL MODES

- ❖ Press the Power/Mode Switch once to turn the unit on.
- ❖ From the first mode, press the Power/Mode Switch once to go to the next mode.
- ❖ Repeat to continue through the modes.
- ❖ OFF: From ANY mode, press and hold the Power/Mode Switch for 2 sec.
- ❖ LOW POWER INDICATOR: At a low level, the Charge Indicator will flash for approximately 0.5–1.0 sec. It is suggested that you then charge or replace the Power Pack with a fully charged one. If on a higher mode and you need to continue using the light, it is suggested that you adjust the mode to a lower setting.

NOTE: The light does not retain the mode in memory. Once you turn the light ON, you will have to re-select the mode you desire.

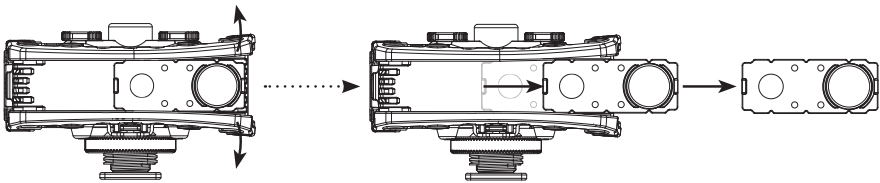
USING THE TRI-LENS™

The Rugo™ Tri-Lens™ has three (3) beam emission angles which can be used for many different applications by simply sliding from left to right and vice-versa.



MODEL	BEAM ANGLE	OPERATIONAL BEAM DISTANCE	BEST FOR
R1	Flood = 120° Area = 55° Spot = 25°	10 ft (3 m) 30 ft (10 m) 100 ft (30 m)	Close-up Mid-range Distance
R1S	Flood = 120° Area = 55° Spot = 25°	10 ft (3 m) 30 ft (10 m) 100 ft (30 m)	Close-up Mid-range Distance
RC	Flood = 120° Area = 55° Spot = 25°	10 ft (3 m) 30 ft (10 m) 50 ft (15 m)	Close-up Mid-range Distance
RCS	Flood = 120° Area = 55° Spot = 25°	10 ft (3 m) 30 ft (10 m) 50 ft (15 m)	Close-up Mid-range Distance

REMOVING THE TRI-LENS™

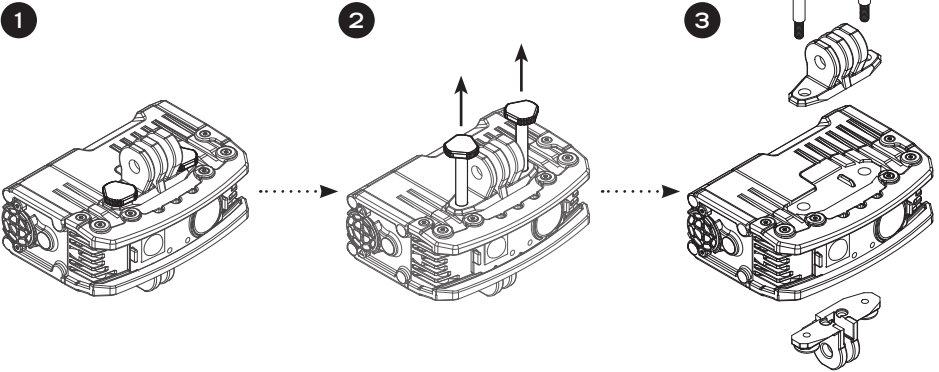


- 1 Push the Tri-Lens™ to either the right or left side until it won't go any further. Use your fingers to slightly pull the Guards away from the unit, while pushing the Tri-Lens™ with your thumb. This will help the Tri-Lens™ to overcome the ridge, (located at the end of the Guard) and will allow it to be easily released.
- 2 Once the Tri-Lens™ overcomes the ridge, pull it free from the Light Head.

FOR RE-INSTALLATION: Line up the Tri-Lens™ with the ridge. Then push it back into position on the Light Head.

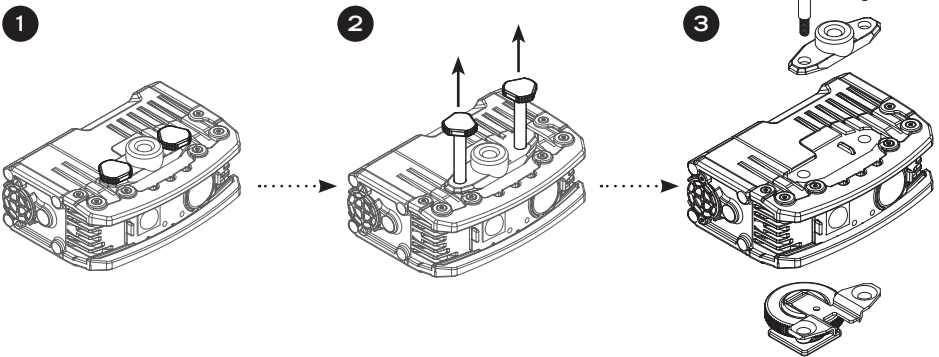
REMOVING/CHANGING MOUNTS

STANDARD MOUNT



- 1 Start with the Rugo™ positioned so that the Thumbscrews are on top.
- 2 Twist each Thumbscrew counter-clockwise until they become loose. They should then be ready to pull out completely.
- 3 Once Thumbscrews are removed, the Standard Mount can then be disengaged from the Rugo™ completely.

1/4"-20 AND COLD-SHOE MOUNT



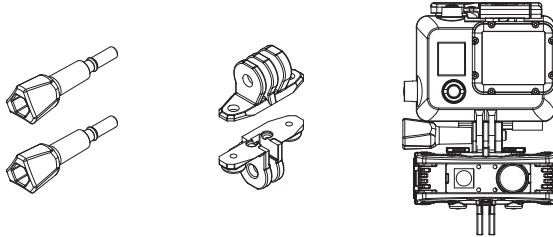
- 1 Start with the Rugo™ positioned so that the Thumbscrews are on top.
- 2 Twist each Thumbscrew counter-clockwise until they become loose. They should then be ready to pull out completely.
- 3 Once Thumbscrews are removed, the 1/4"-20 or Cold-shoe mount can then be disengaged from the Rugo™ completely.

MOUNTING TO DEVICES

ACTION CAM

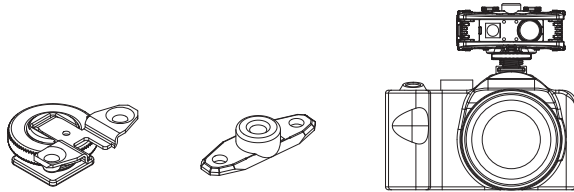
The Rugo™ can be mounted to an Action Cam via the removable Standard Mount. Line up the mounts on the Rugo™ with the mounts on the Action Cam and then tighten the Mount Knobs.

NOTE: Orientation of Knobs should match as shown below.



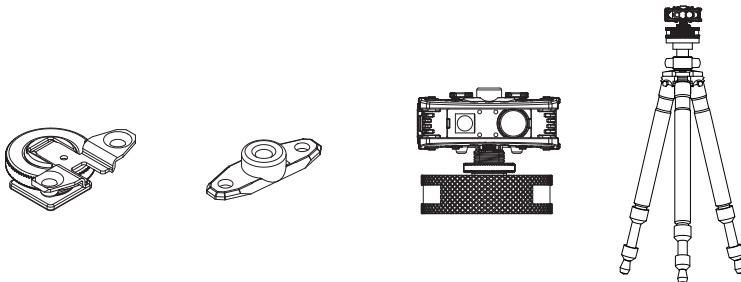
CAMERA

The Rugo™ can be mounted to a DSLR camera via the removable Cold-shoe Mount. Simply slide the mount onto the camera flash attachment and twist the Locking Ring until securely fastened.



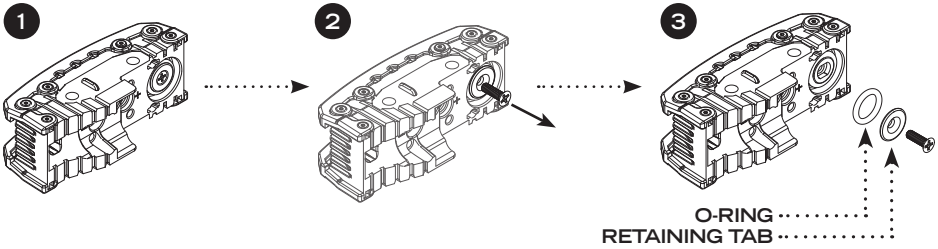
TRIPOD OR PUCK ADAPTOR

The Rugo™ can be mounted to most tripods or to the Puck Adaptor (purchased separately) via the provided 1/4"-20 Mount. Twist the threaded hole of the Rugo™ 1/4"-20 Mount onto the screw of the tripod or Puck Adaptor. Then, twist the Rugo™ and Puck Adaptor until it is securely fastened.



MAINTENANCE

REPLACING THE O-RING (P/N 51-112)

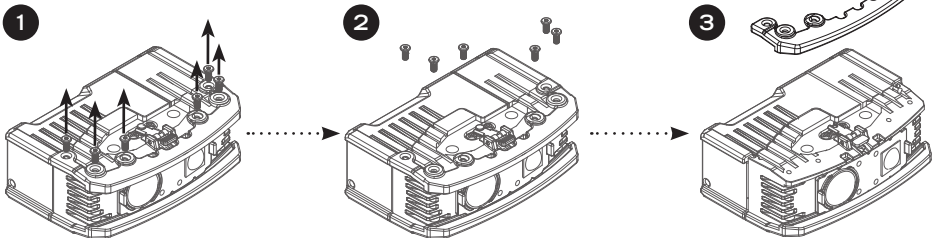


- 1 Separate the Power Pack from the Light Head (follow steps 1–2 in the “Charging the Power Pack” section on page 5).
- 2 Using a #2 Phillips head screwdriver (not included) remove the screw from the Light Head (reference “Disassembled Light Head” diagram on page 3).
- 3 The Retaining Tab and O-Ring can now be removed.
 - ⚠ If the O-Ring does not fall out on its own when unscrewed, it may need to be pulled out.
 - ⚠ Examine the O-Ring for cracks. If cracks are found, a replacement will be needed to ensure the Rugo™ waterproof rating.

FOR RE-INSTALLATION, follow the above listed steps in reverse order.

NOTE: The O-Ring can be lubricated with a non-silicone based grease.

REMOVING THE GUARDS (P/N 51-905)



- 1 Use a size T6 Star-Tip (TORX) driver or bit (not included) to take out the screws on the top and bottom of the Rugo™.
- 2 Once screws are loose, remove them and then lift up on the Guard to remove it.
- 3 Repeat steps 1–2 to remove the Guard on the opposite side of the Rugo™.

FOR RE-INSTALLATION, make sure to tighten the screws until they are snug.

WARRANTY AND OTHER INFORMATION

PRODUCT DURABILITY



20 M



3 M



IPX7



ADAPTOR INPUT: AC 100-240V,
50/60 Hz

CARE/CLEANING








Your FoxFury product is a professional tool. Regular maintenance and care of your light will maximize performance for you. As needed, wash your FoxFury product using a soft washcloth, clean water and a mild soap. Be sure that both the Light Head and Power Pack are reassembled securely before washing. When done, pat dry with a damp cloth.

AVAILABLE ACCESSORIES

-  Puck Adaptor, P/N 85-045
-  Tripo-Scope® M1, P/N 650-100
-  Rugo™ Quick Swap® Power Pack with Strobe, P/N N50-220
-  Rugo™ Standard Mount, P/N N50-132
-  Rugo™ 1/4"-20 and Cold-shoe Mount, P/N N50-133
-  Handlebar/Drone Mount, P/N 85-026
-  Drone Mounts for DJI Phantom, P/N 85-027
-  Drone Mounts for YUNEEC H520 and Typhoon H, P/N 85-023
-  Drone Mount 16mm for DJI Matrice 200 and 210, P/N 85-032
-  Drone Mount 25mm for Inspire 2 and Matrice 600, P/N 85-041

WARNINGS

FoxFury, LLC is not responsible for the incorrect use of any FoxFury Lighting product.

-  When used for extended periods of time the Rugo™ 2 will become HOT to the touch. Please use care when operating.
-  Lights are strong enough to cause damage to the human eye.
-  Do not stare into LEDs for long periods of time or from a close range (less than 2 ft (0.6 m)).
-  FoxFury, LLC is not responsible for any injury or damage caused during the use of this product.
-  Usage of this product must be supervised by an adult when it is being used by a minor.
-  Any FoxFury product should be operated at speeds safe enough to maneuver around surrounding obstacles.
-  Do not use under the influence of drugs or alcohol.

LIMITED LIFETIME WARRANTY

FoxFury, LLC ("FoxFury") warrants this product to be free from defects in material for a lifetime of use except for batteries, LEDs, abuse, and normal wear. We will repair or replace this product should we determine it to be defective. This limited lifetime warranty excludes rechargeable batteries, chargers, switches, and electronics, which have a 2-year warranty with proof of purchase.

This limited lifetime warranty is given only to the original end user of the accompanying product. If you purchased a product from someone other than an authorized FoxFury reseller/distributor or if the product was used, (including but not limited to demo models, show models or refurbished product by someone other than FoxFury) prior to your purchase, you are not the Original Purchaser and the product that you purchased is not covered by this warranty. This limited warranty is VOID if this Product has been altered or modified in any way (including but not limited to attempted warranty repair without authorization from Foxfury and/or alteration/removal of the serial number). To expedite warranty concerns, we encourage the end user to register their FoxFury Product at www.foxfury.com/pages/warranty-registration.

THIS IS THE ONLY WARRANTY, EXPRESSED OR IMPLIED, INCLUDING ANY WARRANTY OF MERCHANTABILITY OR FITNESS FOR A PARTICULAR PURPOSE. INCIDENTAL, CONSEQUENTIAL OR SPECIAL DAMAGES ARE EXPRESSLY DISCLAIMED EXCEPT WHERE SUCH LIMITATION IS PROHIBITED BY LAW.

You may have other specific legal rights which vary by jurisdiction. Go to www.foxfury.com/pages/warranty for a complete copy of the warranty. Retain your receipt for proof of purchase.

CONTACT FOXFURY

FoxFury, LLC
Oceanside, CA 92056 USA

Toll-Free: 844-FOXFURY

Tel: 760.945.4231

Fax: 760.433.3650

Email: service@FoxFury.com

Web: FoxFury.com

All FoxFury products are designed in Oceanside, CA. All FoxFury products are manufactured with the highest quality USA and foreign parts. Products are assembled in either FoxFury's controlled plant in Asia or the USA, under strict quality control.

CALIFORNIA PROPOSITION 65

This product can expose you to chemicals including Lead and DEHP, which are known to the State of California to cause cancer and birth defects or other reproductive harm. For more information go to www.P65Warnings.ca.gov.

